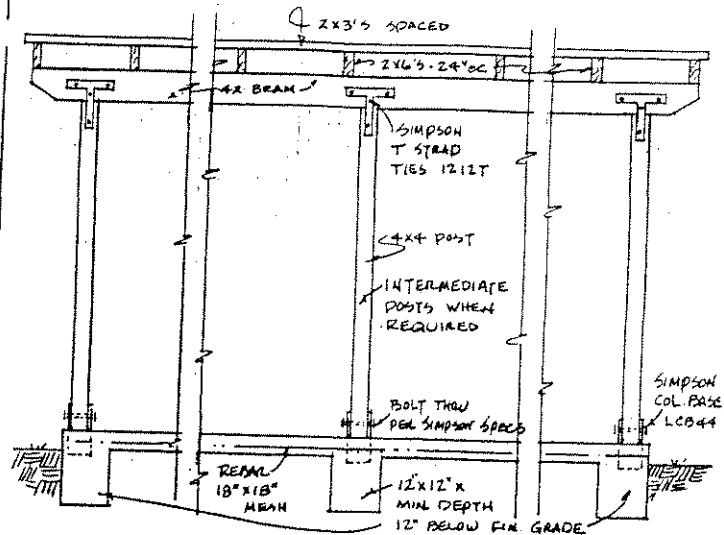


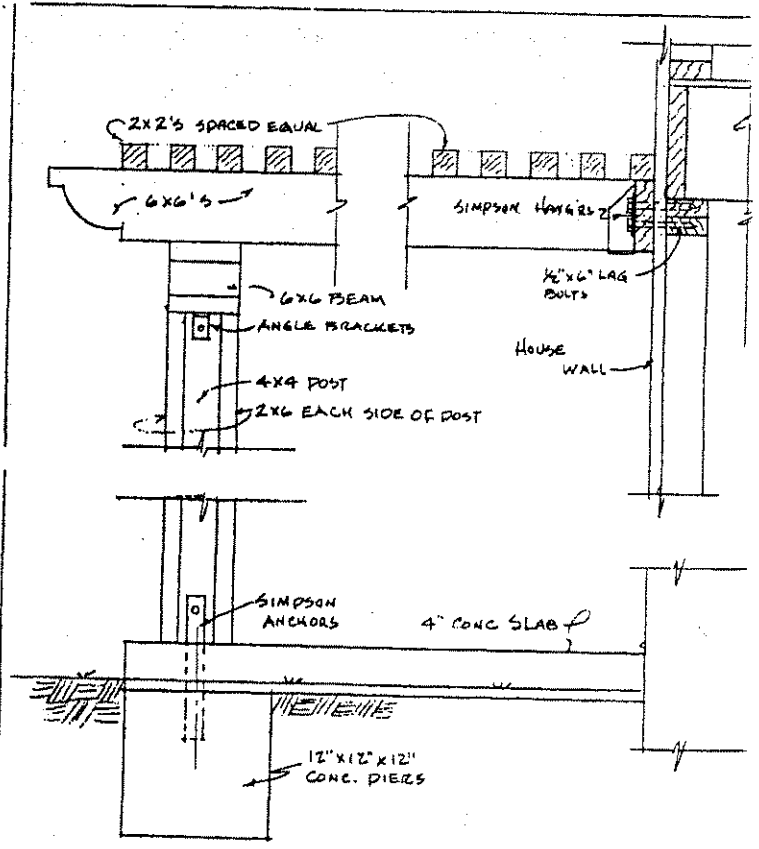
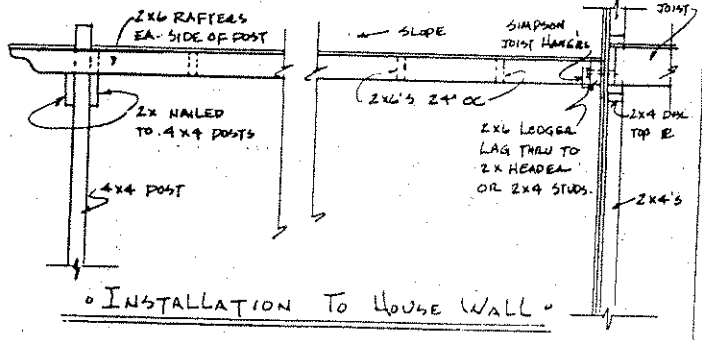
**RANCHO FANITA OWNERS ASSOCIATION  
ARCHITECTURAL COMMITTEE**

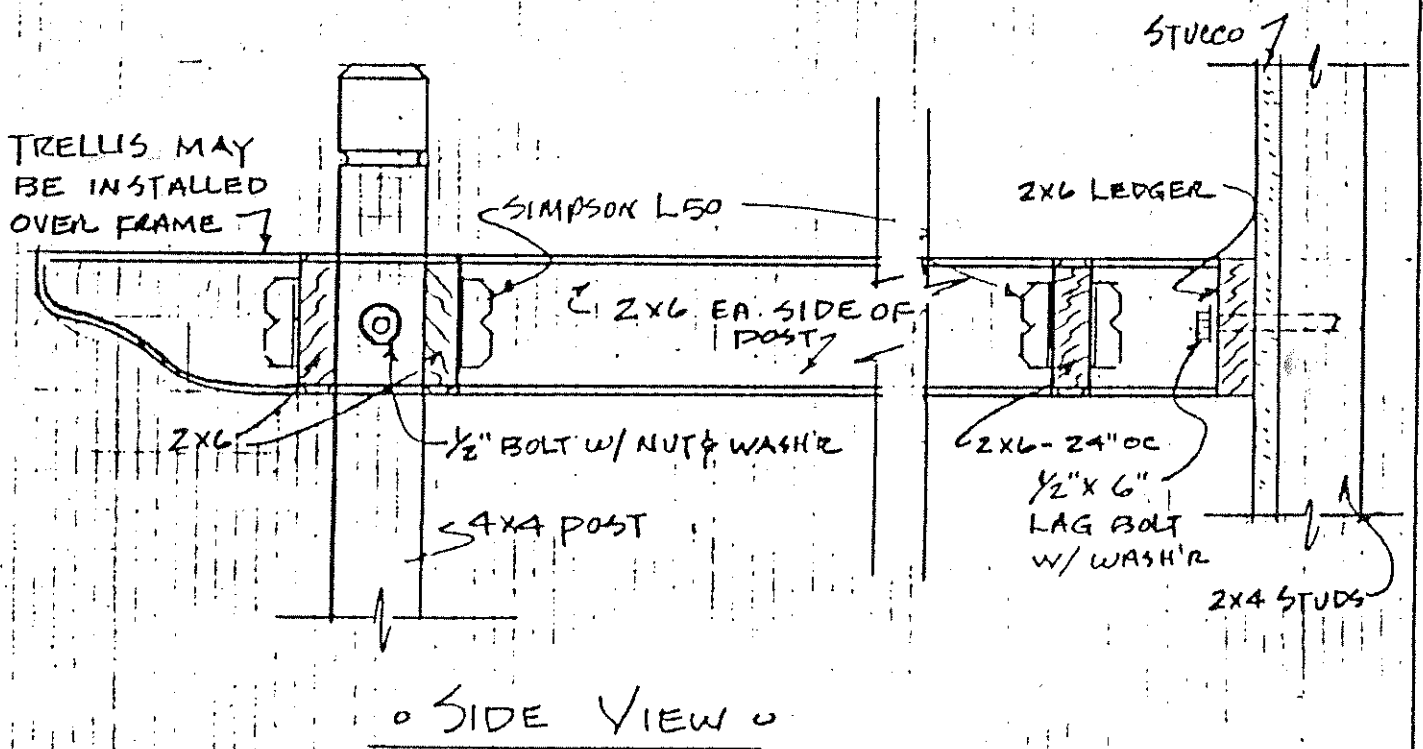
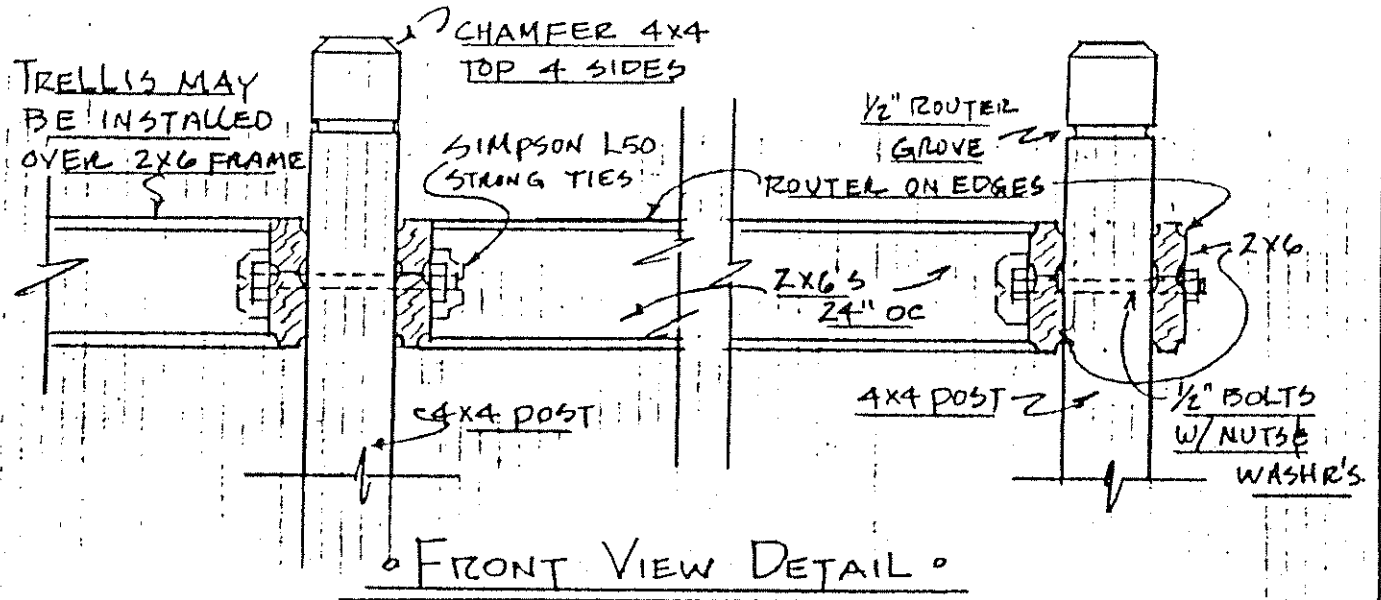
**PATIO COVER & TRELIS DETAILS**

- **The following details have been prepared to aid homeowners in putting together submissions for intended patio covers.**
- **In particular, the Architectural Committee feels that the ‘suggested’ details showing rafter tails, chamfers and grooved posts will add to the aesthetic appearance of patio covers within the development.**
- **The enclosed details are diagrammatic only and not intended as final construction details.**
- **Final approval by the Architectural Committee of patio cover submissions are contingent upon the necessary City of Santee approvals for such structures.**



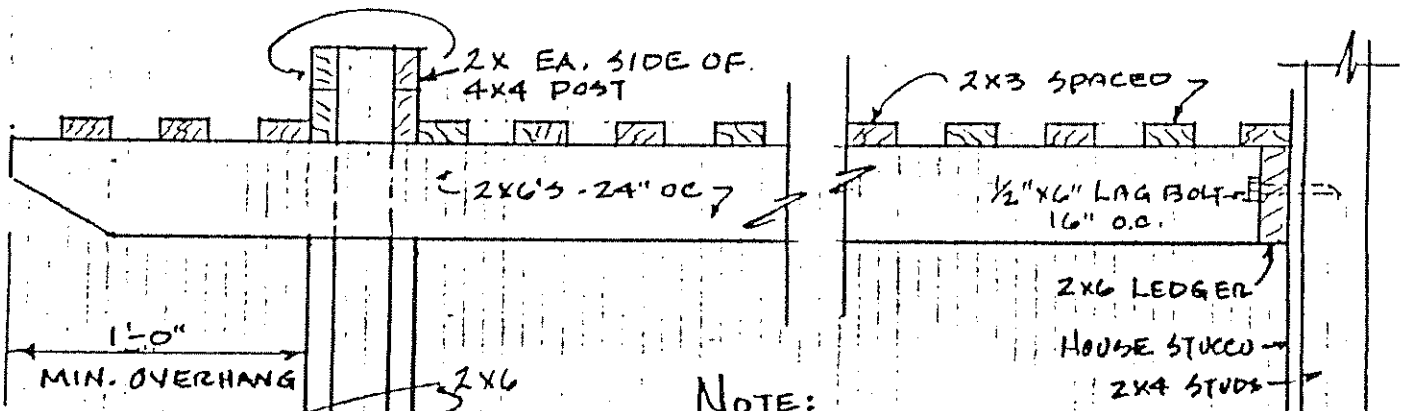
• FRONT VIEW TYPICAL 'A' •



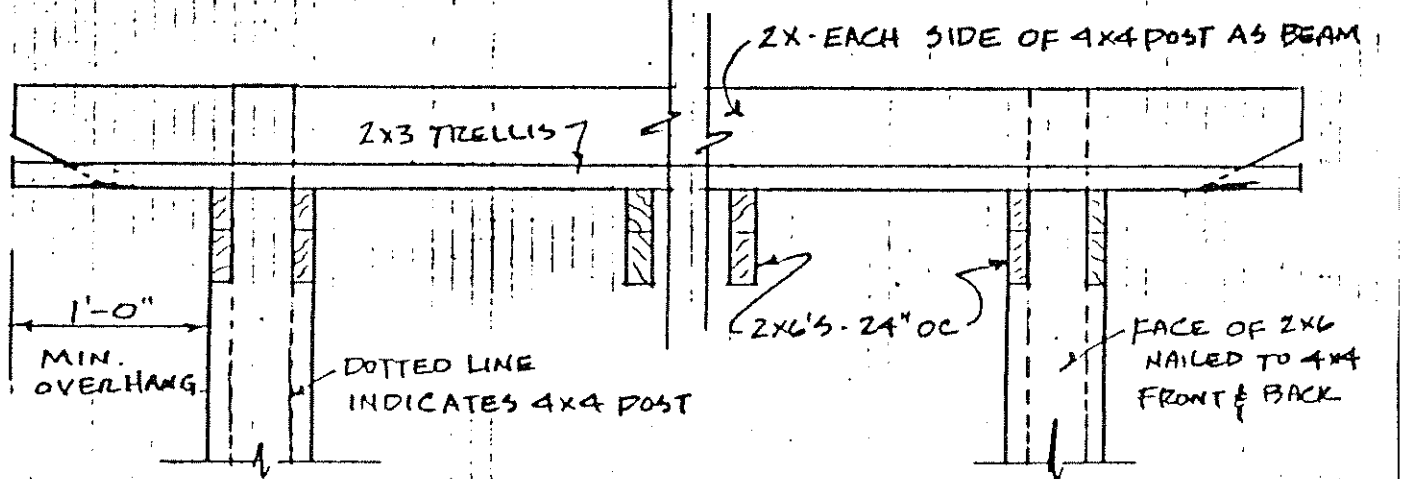
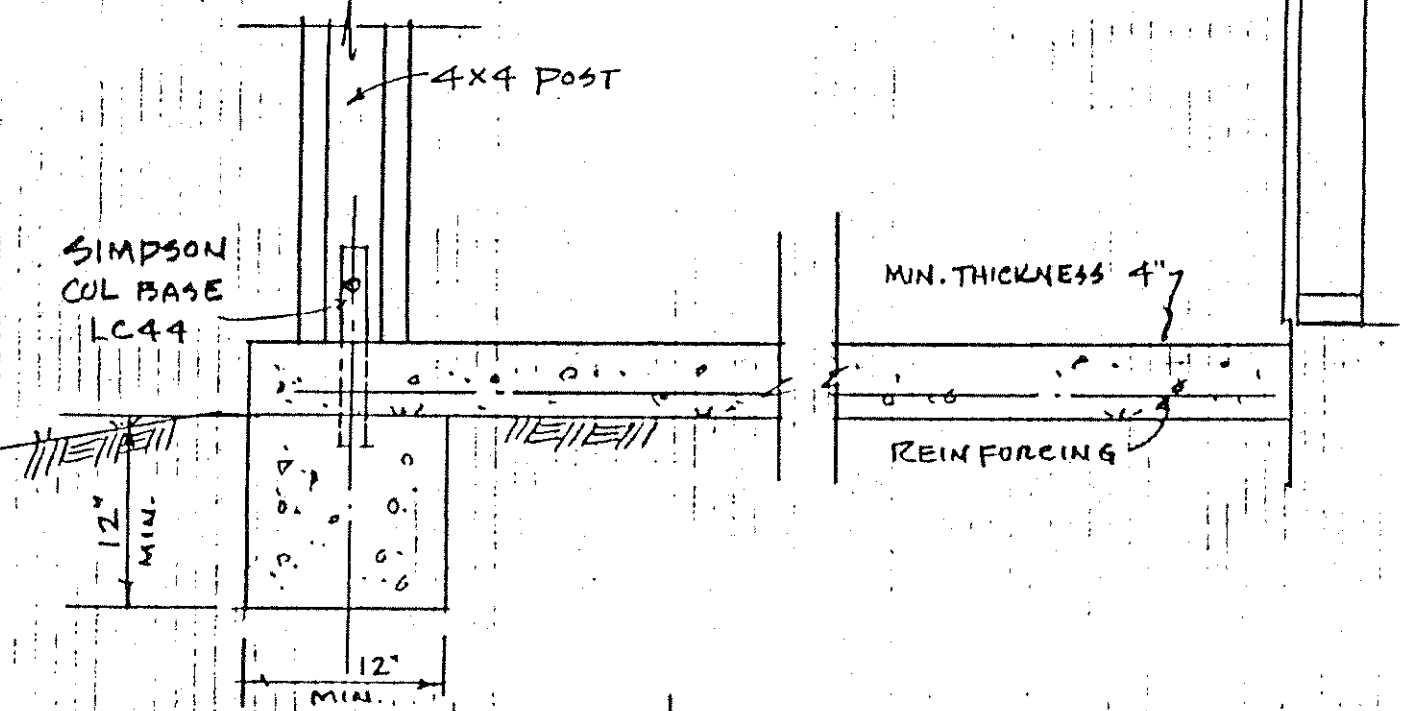


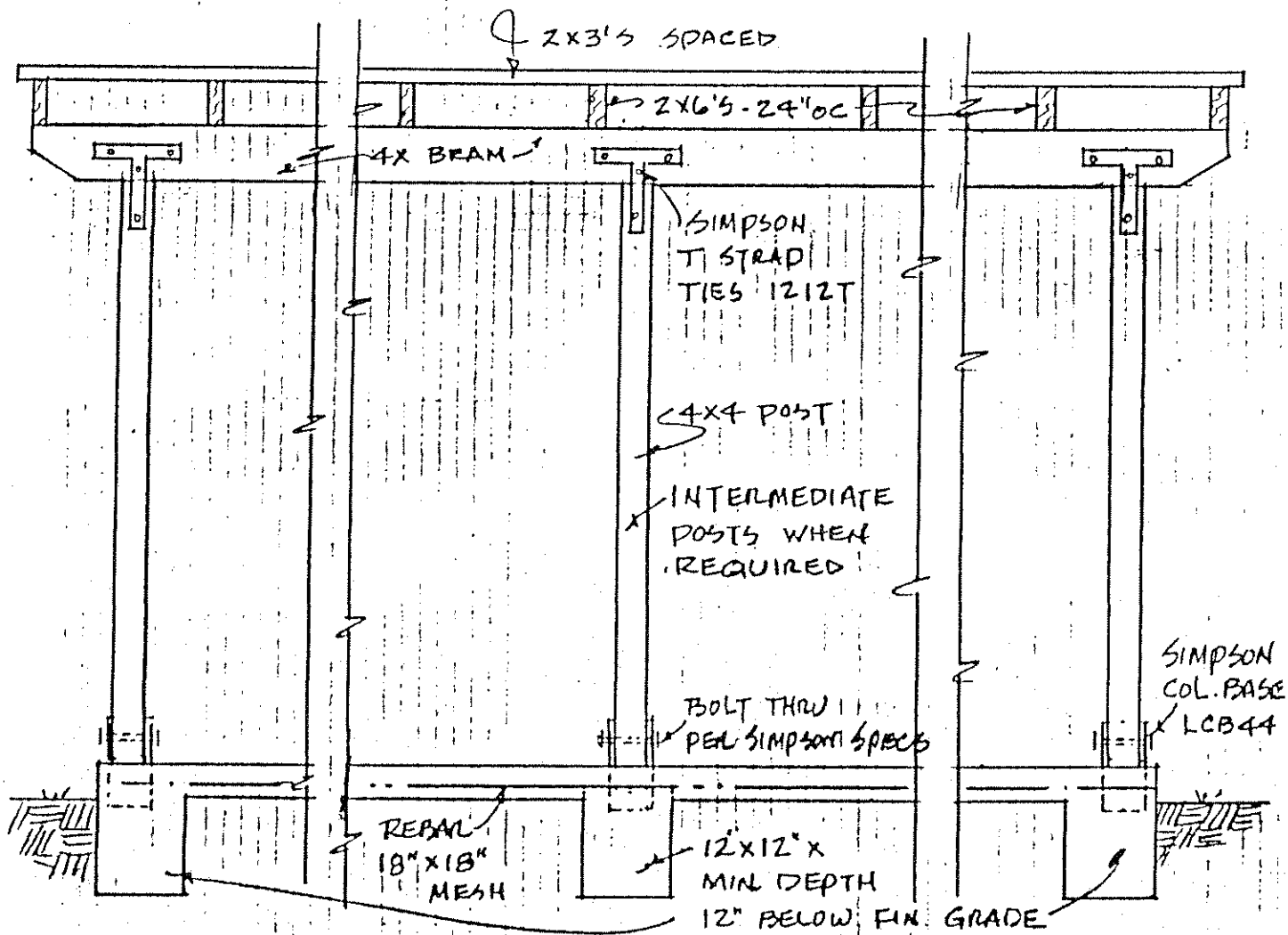
NOTE:

1. ALL LUMBER TO BE ROUGH SAWN FIR.
2. USE GALVANIZED NAILS ONLY.
3. ALL CONNECTORS & BOLTS GALV. IRON.

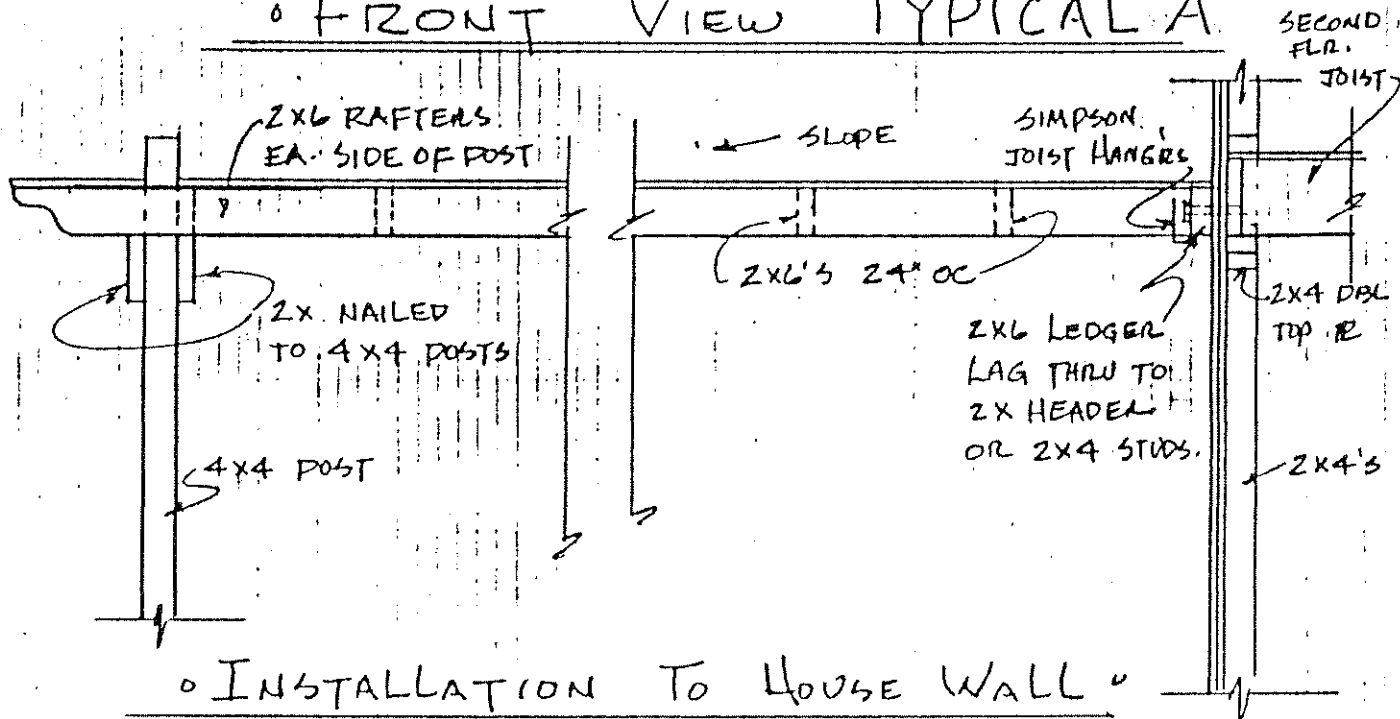


NOTE:  
 1. ALL LUMBER ROUGH SAWN FIR.  
 2. USE GALV. NAILS.





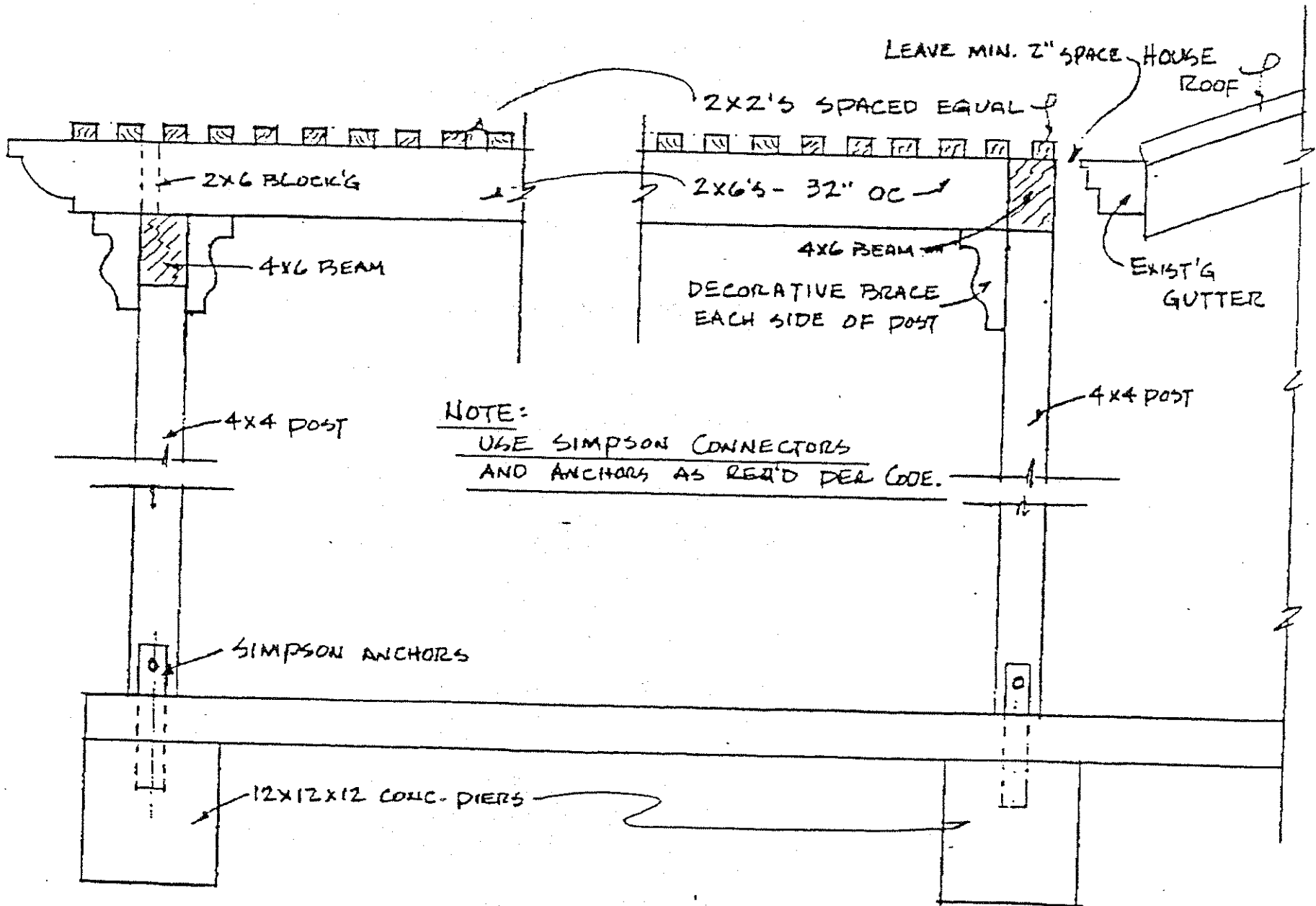
o FRONT VIEW TYPICAL "A"

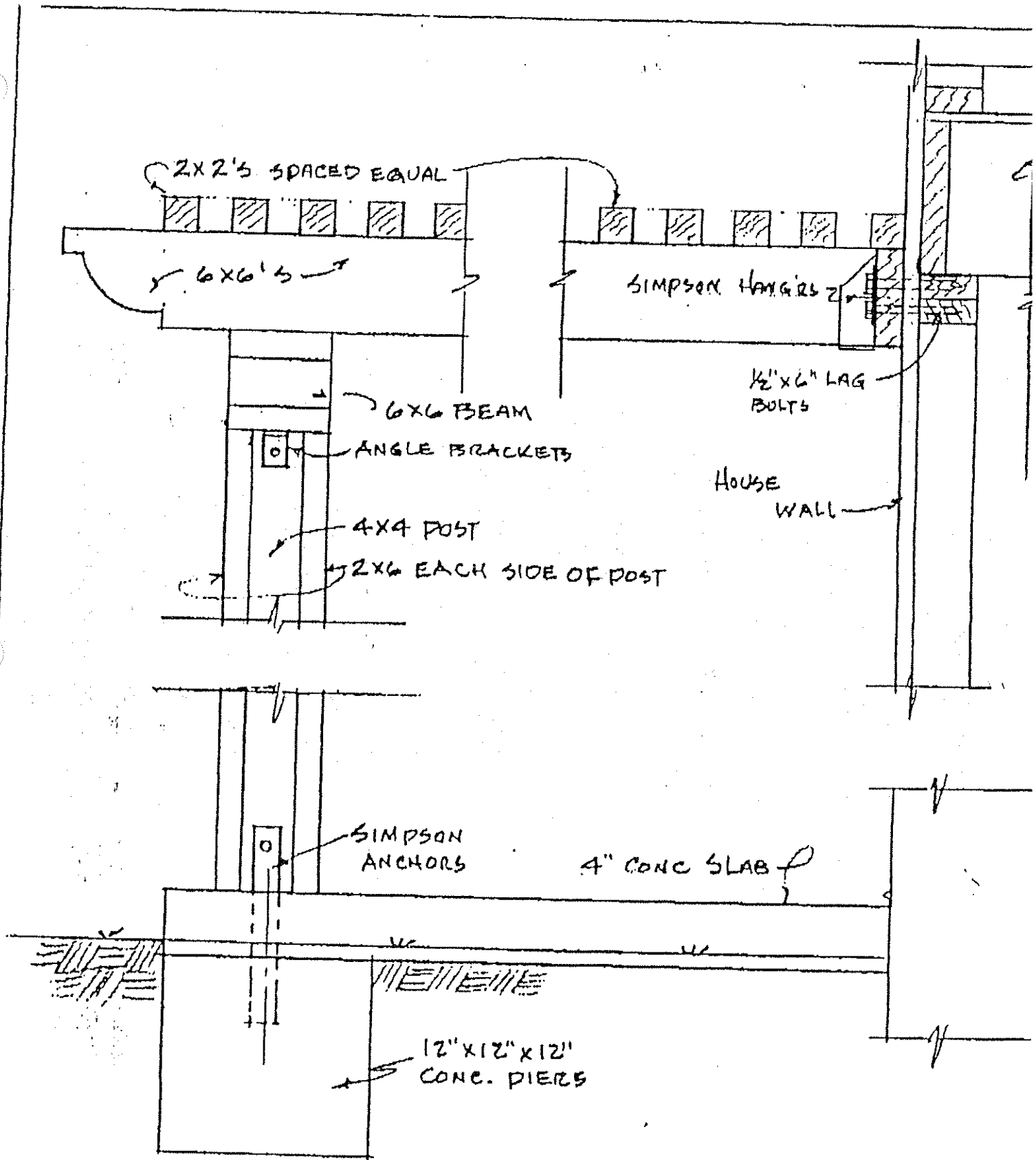


o INSTALLATION TO HOUSE WALL o

NOTE:

CONSTRUCT A FREE STANDING PATIO COVER  
IN AREAS THAT HAVE EAVE RESTRICTIONS.





2x2's SPACED EQUAL

6x6's

SIMPSON HANGERS

1/2"x6" LAG BOLTS

6x6 BEAM

ANGLE BRACKETS

HOUSE WALL

4x4 POST

2x6 EACH SIDE OF POST

SIMPSON ANCHORS

4" CONC SLAB

12"x12"x12" CONC. PIERS